



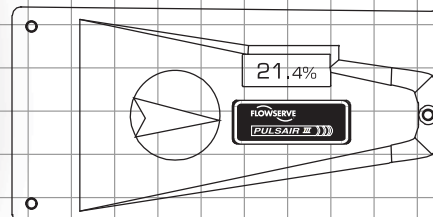
Worcester Controls

FCD WCABR1019-00
(Part PB-93)



PULSAIR III

AN ISO 9001 REGISTERED COMPANY



Loop-Powered Microprocessor- Controlled Positioner

Accurate, High-Speed Digital Process Control

PULSAIR III

Digital Valve Positioner combines exceptional performance with user-friendly HMI – Human Machine Interface



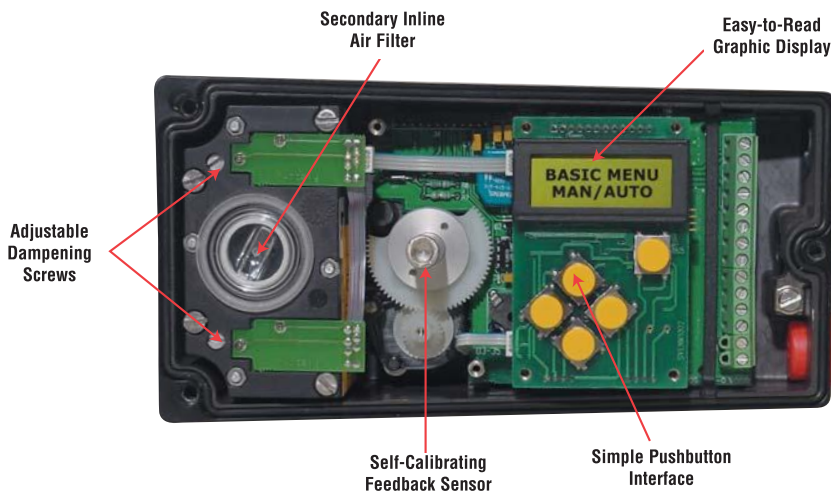
**Through-Cover Display
Type 4X Enclosure**



**Through-Cover Display
XP Enclosure**

The new PULSAIR® III has increased air delivery for superior performance with “sealed” piezoelectric elements to reduce moisture contamination.

The Simplicity of Advanced Technology



Menu and Pushbuttons

The positioner is programmed and calibrated using the five pushbuttons which are accessible when the aluminum cover is removed.

Auto Calibration includes:

- Leak Test
- Air Delivery Optimization
- Diagnostic Message Center

Programming Options:

- Basic, Advanced and Expert

Features and Benefits

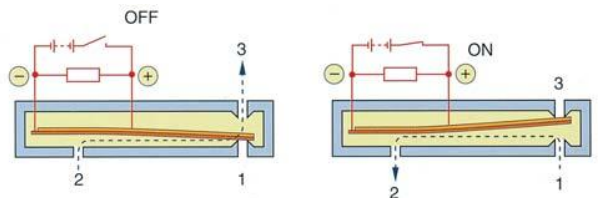
- **Sealed Piezoelectric Element**
Reduce downtime caused by moisture-laden air
- **Internal Piezoelectric Air Filter**
Additional protection from contaminated air
- **Sealed Electrical Compartment**
Protects electronics from conduit moisture
- **Single- and Double-Acting**
Combines both options
- **Rotary and Linear**
Program selectable
- **HART® Communication Protocol**
Remote configuration
- **Selectable Fail Mode**
Open, closed, last position
- **Advanced Performance Programming**
Improves process control
- **Advanced Diagnostics**
Performance status with alarm monitoring

Explosion-Proof Enclosure



Piezoelectric Elements

The core is a piezoelectric ceramic element, built in several layers. When voltage is applied, this element bends a few hundredths of a millimeter, allowing air to flow through the piezoelectric valve from port 1 to port 2.



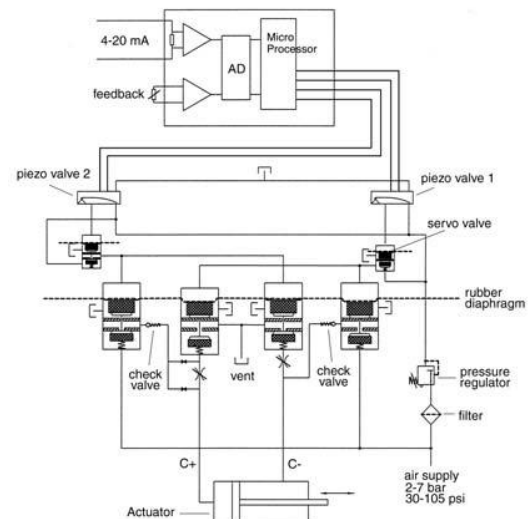
Pneumatic Block

The pneumatic block contains "poppet" valves that are controlled by piezoelectric elements, all in a glass fiber-reinforced resin enclosure.

This unique design offers a true digital function, very low air consumption at steady state and high air delivery to provide good dynamic performance for large actuators.

The two piezoelectric elements control servo poppet valves which control larger poppet valves.

This design offers very high air delivery capacity together with low air consumption.



Technical Specifications

Input signal	4-20 mA
Air supply	30-105 psi (2-7 bar) Free from oil, water and moisture, (dewpoint at least 18°F below lowest expected ambient) filtered to min. 30 micron.
Air delivery	13.8 scfm (400 nl/min)
Air consumption	0.01 scfm (<0.3 nl/min)
Air connections	¼" NPT
Cable entry	Three ½" NPT (Z enclosure two ½" NPT)
Electrical connections	One 14-point terminal strip, 14-22 GA wire (Z enclosure: one 8-point and one 3-point)
Linearity	<1%
Repeatability	<0.5%
Hysteresis	<0.4%
Dead band	0.2-10% adjustable
Display	Graphic, view area 0.6 x 1.6" (15 x 41 mm)
HMI	5 push buttons
Processor	16-bit
CE directives	93/68EEC, 89/336/EEC, 92/31/EEC
EMC	EN 50 081-2, EN 50 082-2
Voltage drop	<10.1 V
Enclosure	Type 4x / IP66 (Type 4x & 7 (Class I, Div I, Group B,C,D)*)
Material	Die-cast aluminum, A2/A4 fasteners
Surface treatment	Powder epoxy
Temperature range	-22 to 185°F (-30 to 85°C)
Weight	3 lb. (1.4 kg)
Alarm output	Transistor RI 1 kΩ
Alarm supply voltage	8-28 V

OPTIONAL FEEDBACK ACCESSORIES

Type 4 Housing-only

MECHANICAL SWITCHES (Optional)

Type	SPDT
Size	Sub Sub miniature
Rating	3 A/125 VAC 2 A/30 VDC

NAMUR SENSORS (Optional)

Type	Proximity DIN 19234 NAMUR
Load Current	(On) ≤ 1 mA, (Off) ≥ 3 mA
Voltage range	5-25 VDC
Hysteresis	0.2%
Temp	-4°F to 185°F (-20°C to 85°C)

PROXIMITY SWITCHES (Optional)

Type	SPDT
Rating	5 W/250 mA/30 VDC/125 VAC
Operating time	0.7 ms
Breakdown voltage	200 VDC
Contact resistance	0.1 Ω
Mechanical/electrical life	> 50x10 ⁶ operations

4-20 mA TRANSMITTER (Optional)

Supply	9-28 VDC
Output	4-20 mA
Resolution	0.1%
Linearity full span	+/- 0.5%
Output current limit	30 mA DC
Load impedance	800 Ω @ 24 VDC

*Industry Approvals:

FM:	Class I, Division 1 Groups B, C, D Class II, Division 1 Groups, E, F, G
CSA:	Class I, Division 1, Groups C, D Class II, Division 1, Groups E, F, G

How to Order

	L	93	S	W	M2	P	4
Special Options	Circuitry	Series	Actuator	Enclosure	Limit Switches	Positioner	Input Signal
Blank - No options 4 - 4-20 mA output R - Remote mount	L - Loop-powered, not intrinsically safe	93	S - Spring-Return Blank - Double-Acting	W - Type 4x / IP66	Blank - No switches M2 - 2 SPDT mechanical switches P2 - NAMUR sensors R2 - Proximity (REED) switches	P	4 - 4-20 mA H4 - HART
Blank - No options R - Remote mount	4L Note: 4-20 ma std. with Type z enclosure	93	S - Spring-Return Blank - Double-Acting	Z - Type 4x / IP66 Type 7	N/A	P	4 - 4-20 mA H4 - HART

Due to continuous development of our product range, we reserve the right to alter the product specifications contained in this brochure as required.

Pulsair® is a registered trademark of Flowserve Corporation. HART® is a registered trademark of The HART Communications Foundation.

Flowserve Corporation has established industry leadership in the design and manufacture of its products. When properly selected, this Flowserve product is designed to perform its intended function safely during its useful life. However, the purchaser or user of Flowserve products should be aware that Flowserve products might be used in numerous applications under a wide variety of industrial service conditions. Although Flowserve can (and often does) provide general guidelines, it cannot provide specific data and warnings for all possible applications. The purchaser/user must therefore assume the ultimate responsibility for the proper sizing and selection, installation, operation, and maintenance of Flowserve products. The purchaser/user should read and understand the Installation Operation Maintenance (IOM) instructions included with the product, and train its employees and contractors in the safe use of Flowserve products in connection with the specific application.

While the information and specifications contained in this literature are believed to be accurate, they are supplied for informative purposes only and should not be considered certified or as a guarantee of satisfactory results by reliance thereon. Nothing contained herein is to be construed as a warranty or guarantee, express or implied, regarding any matter with respect to this product. Because Flowserve is continually improving and upgrading its product design, the specifications, dimensions and information contained herein are subject to change without notice. Should any question arise concerning these provisions, the purchaser/user should contact Flowserve Corporation at any one of its worldwide operations or offices.

For more information about Flowserve Corporation, visit www.flowserve.com or call USA 1 800 225 6989.

FLOWSERVE CORPORATION
FLOW CONTROL DIVISION
1978 Foreman Drive
Cookeville, Tennessee 38501 USA
Phone: 931 432 4021
Facsimile: 931 432 5518